

F900 Expanded Beam Connector



2, 4 or 8 Optical Channels

Singlemode or Multimode

Low insertion loss / high return loss

Field terminable / repairable

Hermaphroditic design

Aluminium or Nickel Aluminium Bronze shell options

Legacy product compatibility

Fibreco F900 expanded beam fibre optic connectors are fully compatible with Stratos S900 and Tyco Pro-Beam Senior legacy connectors.

Designed specifically for military tactical communications, the Fibreco F900 connector is available with 2, 4 or 8 multimode or singlemode optical channels and can be supplied with aluminium or nickel aluminium bronze shells.

The connectors are terminated using an epoxy-polish ferrule termination process with standard fibre optic termination tools and equipment. The terminated ferrules are simply inserted into the expanded beam housing and fixed in place via a spring and cover-plate. Ferrule alignment to the lenses is achieved automatically by the unique optical arrangement developed and patented by Fibreco.

In the event of the connector suffering severe damage in use, the connector design enables replacement of the expanded beam insert, connector front body and grip ring without the need to re-terminate the fibres. Typically, an expanded beam insert can be replaced within 30 minutes in field conditions.

Fibreco F900 expanded beam connectors offer high performance, flexibility and cost effectiveness, combined with a simple termination process allowing rapid in-field termination and repair where compatibility with legacy products is essential.

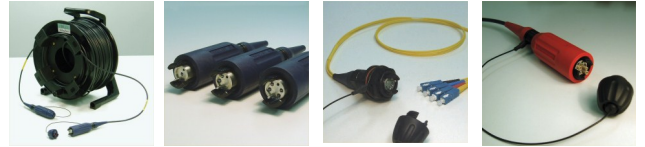
Fibreco Limited
12 Fitch Industrial Estate
Chelmsford Road
Great Dunmow
Essex
CM6 1XJ



European Patent 2270561

Tel: +44 (0) 1371 873334
Fax: +44 (0) 1371 876662
Email: sales@fibreco.co.uk
Web: www.fibreco.co.uk



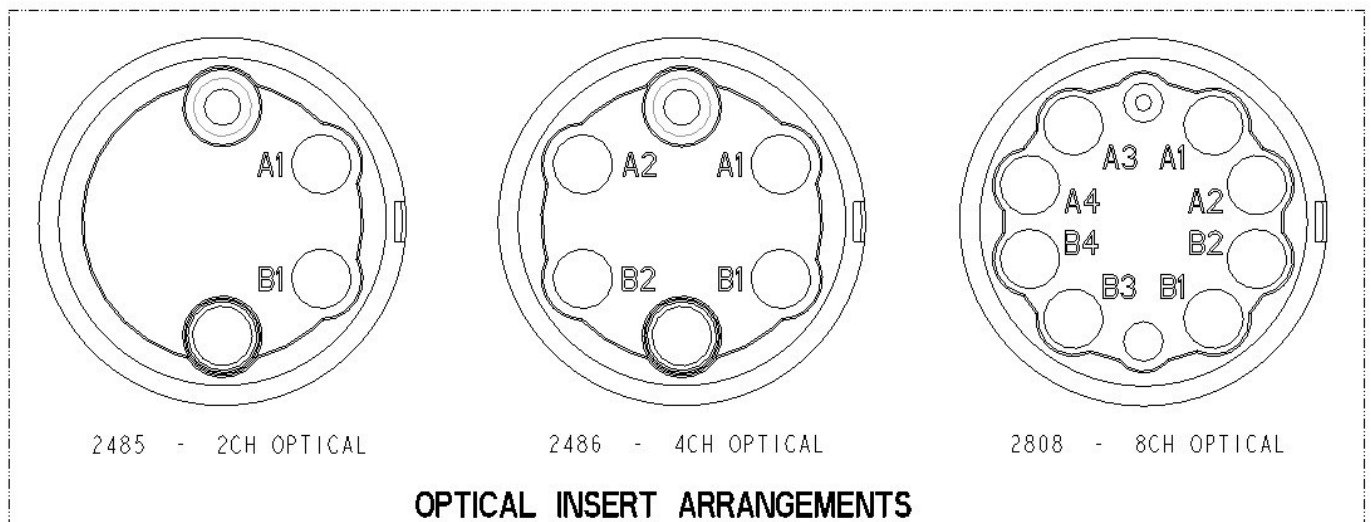


F900 Expanded Beam Connector - Outline Specification

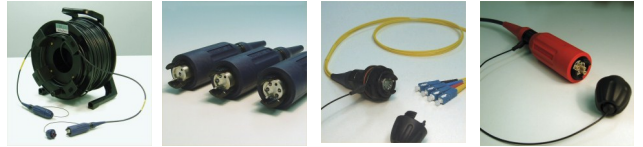
Connector Specification:

Insertion Loss	9/125 Fibre at 1310nm / 1550nm: 1 to 4 channels: -1.5dB max / 8 channel: -2.0dB max* 50/125 Fibre at 850nm / 1300nm: 1 to 4 channels: -1.0dB max / 8 channel: -1.5dB max*	
Return Loss	> 32dB (typical 40dB) singlemode / >20dB multimode*	
Durability	3000 Matings minimum	
Operating Temperature	-40°C to +85°C	
Storage Temperature	-55°C to +85°C	
Water Immersion	5m	
Free Fall Resistance	500 Falls from 1.2m height	
Vibration	10-500Hz, 3 directions, 0.75mm amplitude @ 10g acceleration	
Bump	4000 bumps @ 40g acceleration	
Crush Resistance	6.7kN	
Corrosion Resistance	500 Hours Salt Spray (Anodised aluminium shell)	
Cable Retention	1500N (Cable Dependant)	
Weight (approx)	Aluminium	Nickel Aluminium Bronze
	Plug: 320g	650g
	Bulkhead: 190g	400g
Connector Shell Material / Colour	Black anodised Aluminium or Nickel Aluminium Bronze Grip & boot: Black or Olive Green	

Connector Options:

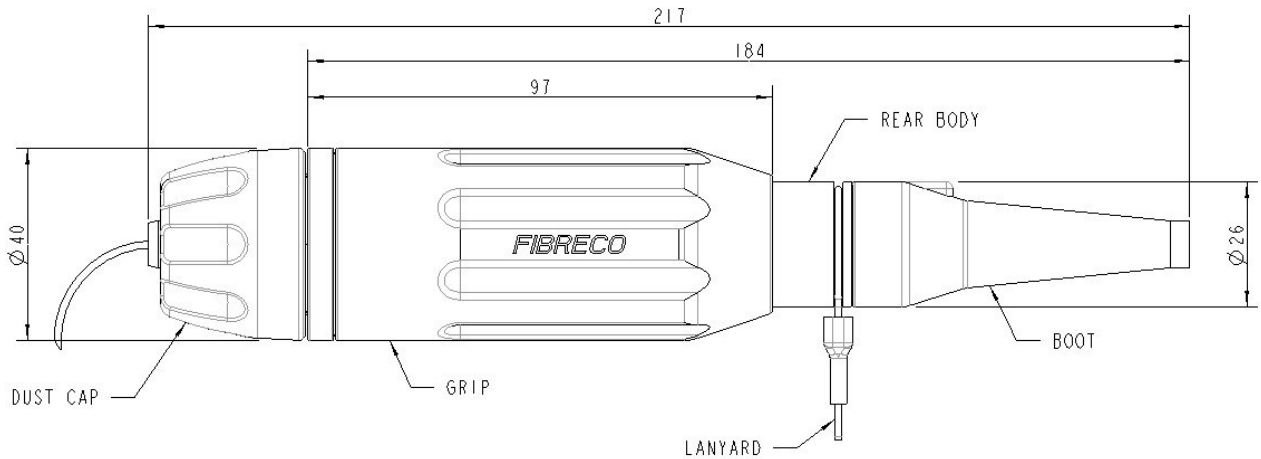


*Measurements against reference—random mate performance in line with MIL83526

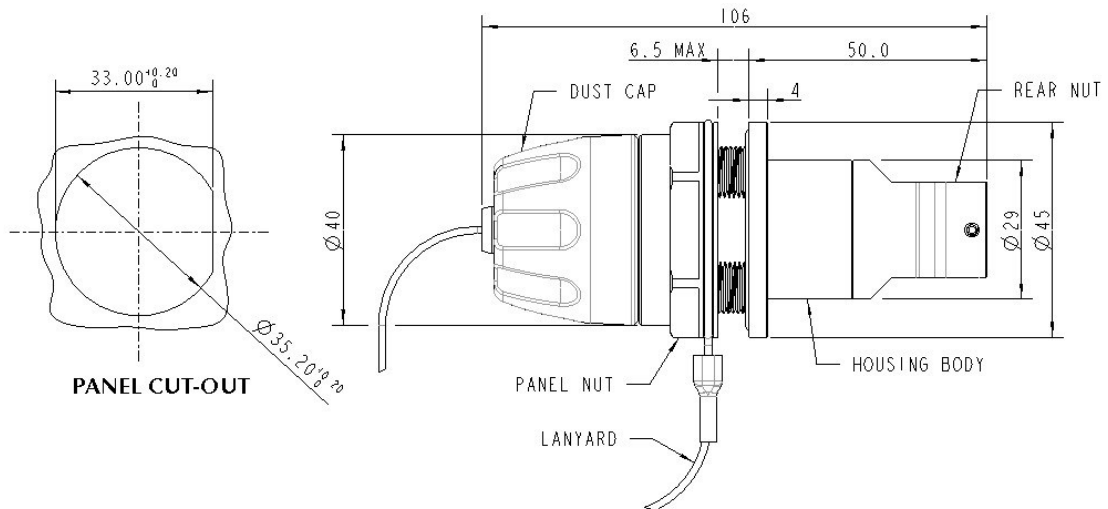


F900 Expanded Beam Connector - Outline Specification

Plug Connector:



Bulkhead Connector D-Hole Mount:



Bulkhead Connector Square-Flange Mount:

